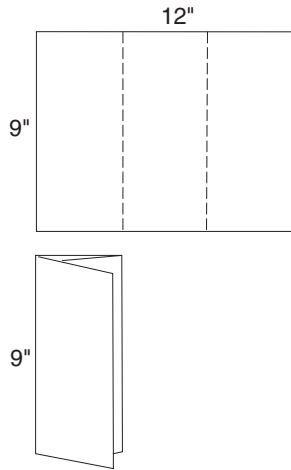


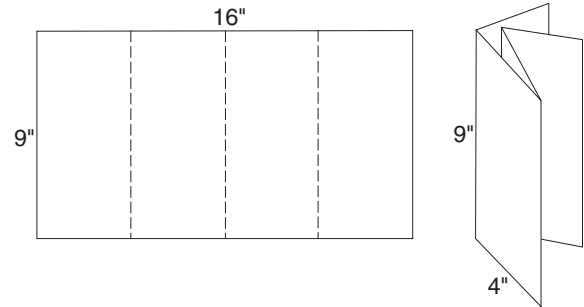


A variety of formats are available for brochures. Our most common ones are shown below, with illustrations of folding options. Samples are also available in our office.

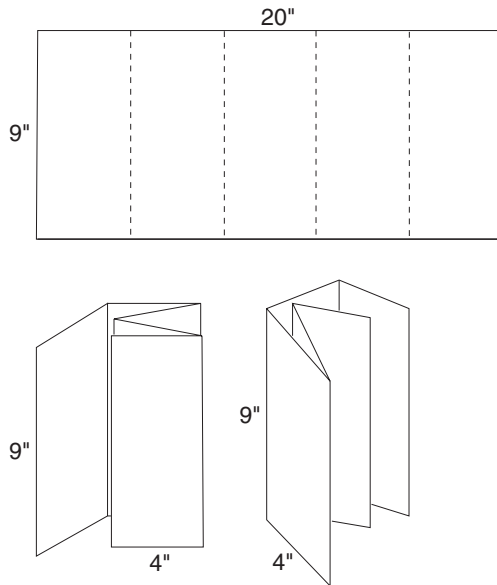
A. 12" x 9" folds to 4" x 9", 3 panels each side.



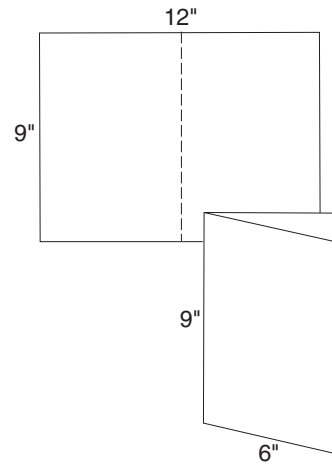
B. 16" x 9" folds to 4" x 9", four panels each side.



C. 20" x 9" folds to 4" x 9", five panels each side.



D. 12" x 9" folds in half to 6" x 9".



E. 17" x 11" folds in half to 8.5" x 11" (to mail as a flat), and can be folded in half again to measure 8.5" x 5.5" (to mail as a letter).

